

After Power ON, the Status LED on a Clevertest Plus enabled fitting will display a rapid Green or Red flashing for a period up to 2 minutes.

The diffuser will require removal to gain access to the Test/Status Switch and LED. Maintained fittings (LVP4LEDM-P-xx-yy) cannot be scanned with a camera using the CleverSparky App as the maintained light source interferes with the camera scanning function. To register the fitting manually enter the serial number from the QR code and visually read the test result and enter manually into CleverSparky.

Zoneworks, HIVE and DATA Monitored Options

Fittings with part numbers -ZW, -HV/-HVG, -DATA are fitted with Zoneworks communications modules (nodes). These fittings are monitored using either Powerline Carrier Technology that utilize the power cable to provide data communication, RF transceiver modules operating in the ISM band or a dedicated data cable to/from data routers installed on a dedicated data trunk connected to a central Server (can also be connected via Ethernet/Internet/Fibre). Zoneworks software on the server is used to monitor, coordinate testing and collate test data from each fitting. Zoneworks Fittings can be commissioned by a single push of the test switch or by scanning the supplied barcode. The LED Test Switch indicator provides a multifunction indication of the status of the fitting during testing and normal operation:

Option	State	LED Operation
ZW, HV, HVG, DATA	Commissioned	LED on Solid (Green)
ZW, DATA	Un-commissioned	Batt plugged-in: yellow 1s, green 1s
		Batt unplugged: red 1s, off 1s
HV, HVG	Un-commissioned With network connectivity	Batt plugged-in: yellow 1s, green 1s
		Batt unplugged: red 1s, off 1s
HV, HVG	Un-commissioned Without network connectivity	Batt plugged-in: yellow 250mS, green 250mS, yellow 250mS, green 250mS, green 1s
		Batt unplugged: red 250mS, off 250mS, red 250mS, off 250mS, off 1s
ZW, DATA	Emergency Light Test In Progress	LED flashes at yellow 5s , Off 1s
HV, HVG	Emergency Light Test In Progress	LED flashes at yellow 1s , Off 1s

In the case of the DATA version a 2-way “figure 8” cable and terminal block facilitates the connection to the DATA network via a multi-drop bus (daisy chain connection). For further information of installation of a Zoneworks system, please refer to the Zoneworks Users Guide and Commissioning Guide (incl. DATA version)

DALI EM Option

Luminaires with part numbers having -DALI are fitted with DALI modules (nodes) that facilitate connection and integration to 3rd Party Lighting Control Systems. Before installing the -DALI luminaire, please confirm that the Lighting Control System has the capability to monitor DALI Emergency Luminaires. The -DALI fitting will be addressed and configured into the control system by the Lighting Control System Commissioning Technicians and not Clevertronics.

State	LED Operation
Commissioned/ Un-commissioned	LED on Solid (Green)
Emergency Light Test in progress	LED flashes at 1s On (Yellow) & 1s Off
“IDENTIFY COMMAND”	Lamp and Status LED Flash for 30 seconds

A 2-way “figure 8” cable and terminal block facilitates the connection to the DALI network. DALI connections are marked as Da Da.



L10™ 4ft LED Weatherproof Vandal Resistant Batten
Installation & Maintenance Instruction Leaflet



Victoria (Head Office & Manufacturing)

Website: www.clevertronics.com.au

Email: info@clevertronics.com.au

Phone: +61 3 9559 2700

Fax: +61 3 9559 2799

New South Wales

Phone: +61 2 8805 6400

Fax: +61 2 8805 6444

Queensland

Phone: +61 7 3442 9700

Fax: +61 7 3442 9777

South Australia/Northern Territory

Phone: +61 8 8301 8800

Fax: +61 8 8351 8286

Western Australia


Phone: +61 8 9207 0000

Fax: +61 8 9207 0088

New Zealand

Phone: +64 800 548 448

Designed in Australia to comply with the requirements of AS2293.3: 2005 and AS/NZS CISPR15: 2017.

NOTE: Standard product codes with this symbol  are enabled with Clevertest Plus capability. Please refer to the operation guide supplied with the product for details.

Models:

LVP4LEDz-P-uu-xx-vv-yy-ww

Testing:

Manual Test xx = Blank
Zoneworks xx = ZW
Z/W DATA xx = DATA
Zoneworks HIVE xx = HV/HVG

Options:

Maintained Operation z = M
Non-maintained Operation z = N
DALI Driver uu = DD
4HR Battery yy =4HR
Tamper Proof Sensor vv=TPS
Low Smoke Zero Halogen 1.5m Flex Cable with Wieland Plug ww = LSZH-FPW1M5
Low Smoke Zero Halogen 8m Cable no Plug ww = LSZH-NP4C8M
Special Cable ww = Customized Code

DALI xx = DALI
DALI-2 xx = D2

Spare Parts:

1530260 Replacement Battery
8002699 Replacement Emergency LED Board
AUM01370440001 Replacement Emergency Driver
AUM01870630001 Replacement Emergency Driver (-HV)
1330055 Replacement 240V Driver
1330056 Replacement 240V Driver (-DD only)

Important:

It is illegal for anyone, except for a licensed electrician to install or maintain this product. Before installation, ensure that the electricity supply has been switched off and isolated. Installation must be carried out in accordance with the relevant Australian and International Standards.

Installation:

The Vandal Proof Batten (LVPLEDM-P) is a surface mount fitting.

The batten can be attached directly to any solid surface by drilling the base internal mounts as required. Refer to the Dimensions Section for mounting points.

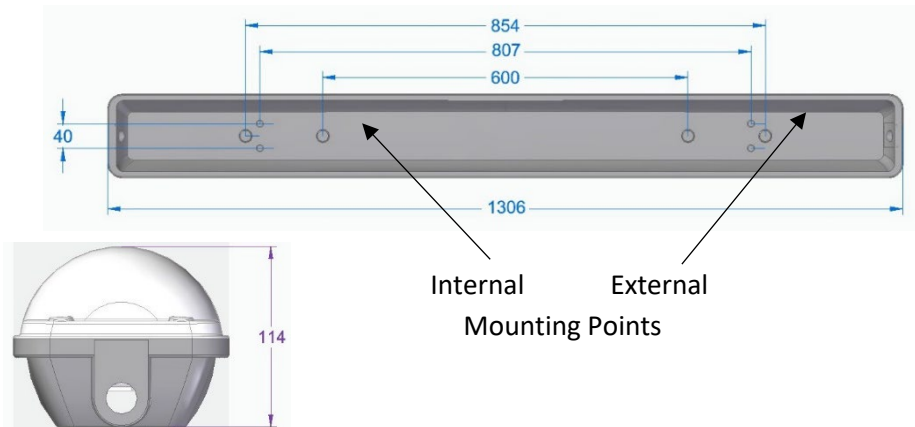
The batten can also be mounted to Unistrut utilizing the four (4) recessed screw holes on the back of the case. Refer to Dimensions section.

1. Remove the diffuser and gear tray. Position the batten base in the desired location.
2. Mark out the fixing points on the mounting surface.
3. Fasten the batten to the surface, using appropriate fixing method.
4. Route power cable through the access hole. Use the conduit entry point at the end or drill a suitable entry hole in the rear of the batten body (must be suitably sealed after cable entry).
5. Attach gear tray to lanyards.
6. Wire mains power cable, 240V 50Hz, to terminals marked Asw, Aem, N & E
7. Fit gear tray and diffuser.
Recommended torque setting for the diffuser screws - 140-145Ncm.
8. If the CTP capabilities are activated please affix the CTP status Label to a visible surface and Four Segment Marking on the product will include an "F" in third segment block.

Networking:

When installing the product on a monitored network, (ZONWORKS, HIVE, DATA, DALI) simply insert the relevant Smart Node PCA.

Mounting Dimensions:



Sealing:

When drilling through the fitting base, a suitable silicone sealant must be applied to maintain the IP rating. Always use a sealant that remains flexible. Apply enough sealant so that the material oozes out completely around the washer when the bolt or screw is tightened.

Always use a gland or screwed conduit adapter. With conduit ensure that the other end of the conduit is not left open. Even if it is inside the building, it allows water vapor and insects to enter the fitting. A rubber washer and silicone sealant should also be used between the fitting body and the conduit nut inside the fitting to guarantee a water-tight seal. Use PVC cement to seal all conduit joints. Glands are intended for round cable and will not seal against TPS. Even when properly installed using round cable, sealant may be necessary in extreme weather exposure.

Testing:

Once connected to the 240V mains supply, the unit must be allowed to charge the battery for at least 24 hours. Conduct the following tests:

- For the first test, the emergency lamp must remain illuminated for at least 2 hours after disconnection from the mains supply.
- Subsequent tests require the unit to illuminate for at least 90 minutes. The results of all tests are required to be recorded in a service logbook, which is to be kept on-site at all times. If the unit fails to remain illuminated for the requisite time, remedial action must be taken to repair the situation and once completed, the unit must pass a subsequent test. For more specific information, please refer to the current edition of the AS 2293.3 Standard.

Batten Maintenance:

Battery Replacement:

Use only the battery recommended in the Spares List on this instruction.

Trouble Shooting:

Below are a list of common problems and their possible causes.

Fault: The Green LED Test Switch indicator is not illuminated.

Check: A.C. is connected and is turned on.
Battery is connected
Test Switch for damage.

Fault: Lamp does not illuminate in emergency mode.

Check: A.C. is connected.
Lamp is correctly inserted.
Battery is connected

Fault: Lamp illuminates in emergency mode, but only stays on for a short period.

Check: Battery has been allowed to charge for at least 24 hours.
Battery for damage.

Rated Emergency Lumen Output in accordance with AS2293.1, not applicable for –TH (theatre) version (refer to spacing tables for installation positions):

Refer to the Technical Label for classification information.

Caution:

On many building sites, power circuits may be cut off in an uncontrolled and repetitive basis during construction. As a result, any Exit & Emergency Units, on these circuits, will have their batteries discharged or "cycled". The battery in this fitting has been selected to give excellent long-life performance in a controlled AS2293 testing environment. Excessive battery cycling will reduce through-life performance and may lead to premature battery failure. Battery warranty claims, as a result of such abuse, are specifically EXCLUDED from Clevertronics warranty terms.

Warranty:

For Product Warranty information and Terms and Conditions of Sales please refer to our website <http://clevertronics.com.au/terms-conditions-sale-australia-nz/>